

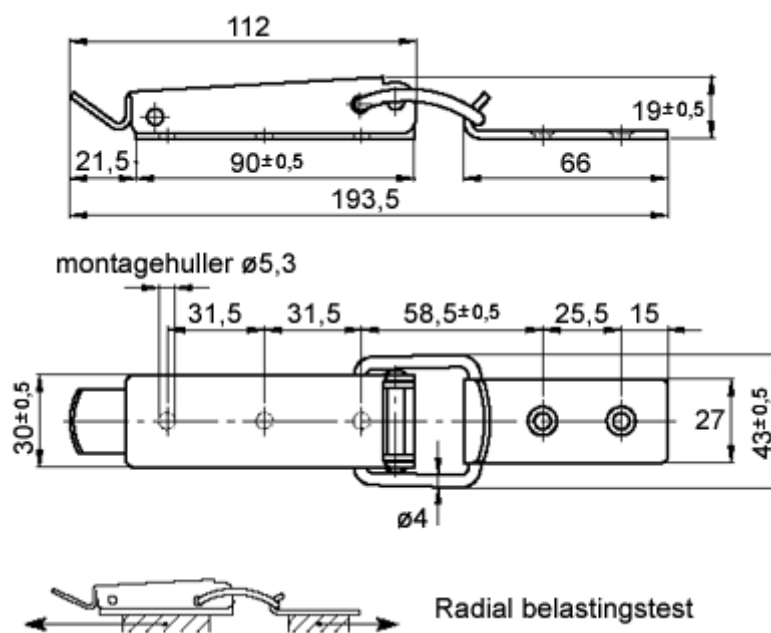
Data Sheet



Article number: 2312420051

Description: E+G Hook clamp, zinc-plated 420051
TLA.Z-30/193,5+R

Measures



Max load (N) = 2000

Ultimate strength (N) = 4000